

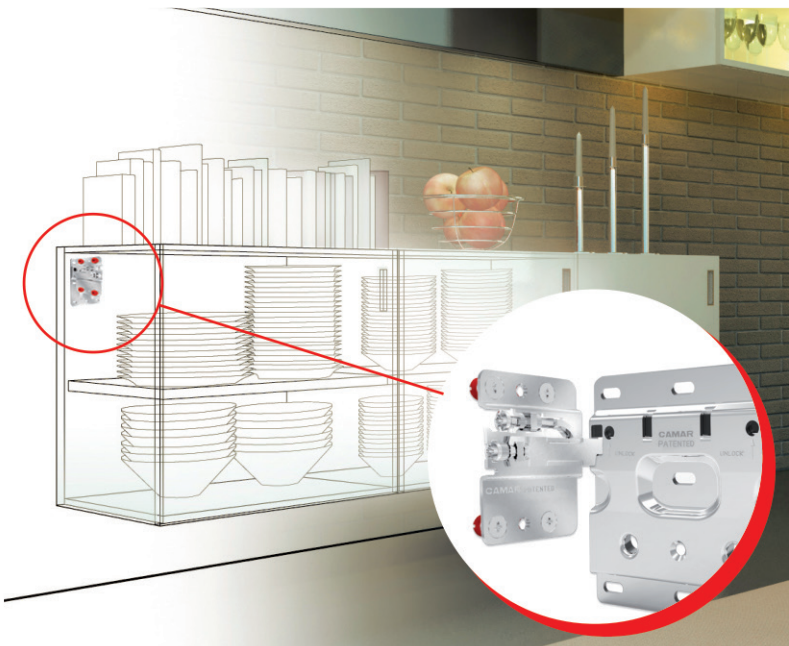
 THE HANGING BRACKET FOR BASE CABINETS

 IL REGGIBASE PER MOBILI SOSPESI

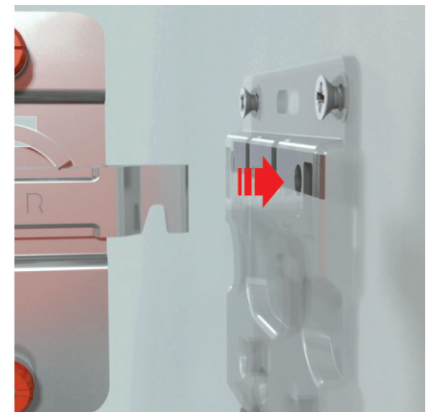
 UNTERSCHRANKAUFHÄNGER FÜR HÄNGESCHRÄNKE

 LA SUSPENSION POUR MEUBLES BAS

 EL COLGADOR PARA SUSPENDER MUEBLES BAJOS



**3D ACTIVE SAFETY**  
**SICUREZZA ATTIVA 3D**  
**SECURITE ACTIVE 3D**  
**AKTIVE SICHERHEIT 3D**  
**SEGURIDAD ACTIVA 3D**



# 807 02 Z1 IN

DX  
SX  


**New**



[www.camar.it/warning](http://www.camar.it/warning)



100



3000



800



4

**897 AS Z1 12 12**  581  
**897 AM**    583

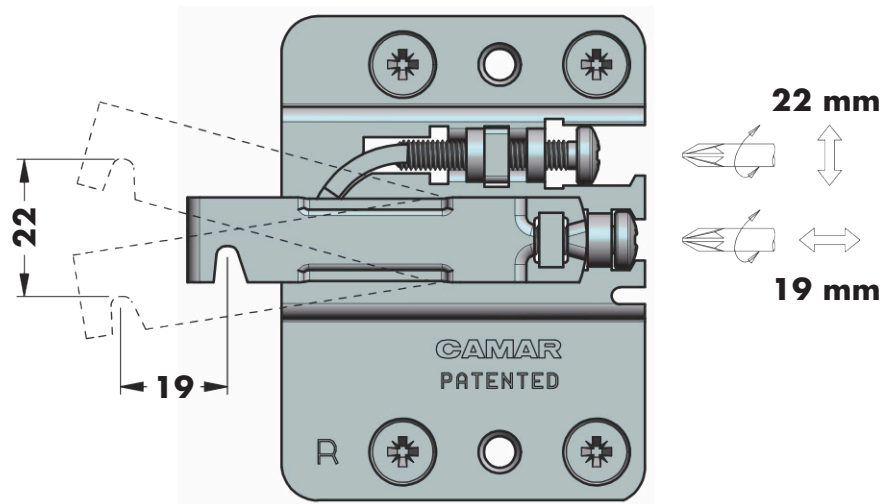
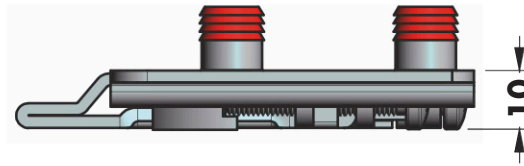
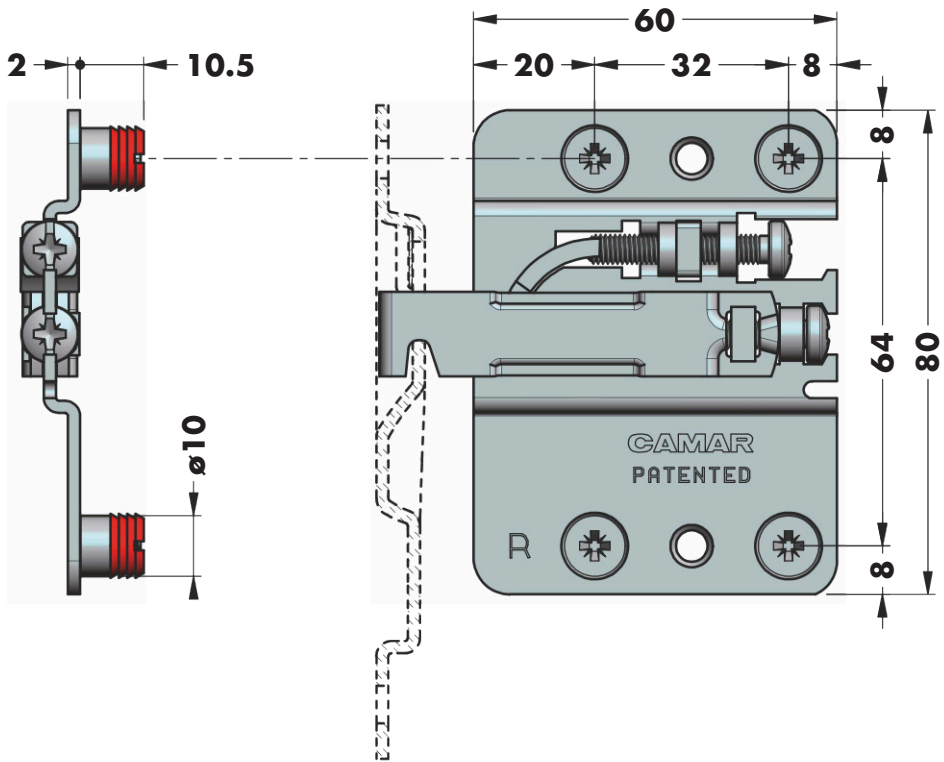
**807 00**  **00**   534  
**807 00**  **55**   535  
**807 00**  **31**   535

**807 00 P2 AP 00**  529

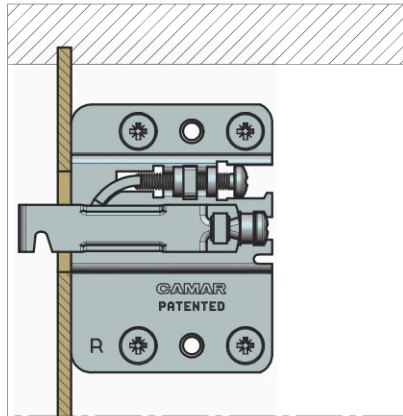
**810 00**  **38 24**  543

**807 00 AL MA 00**  528

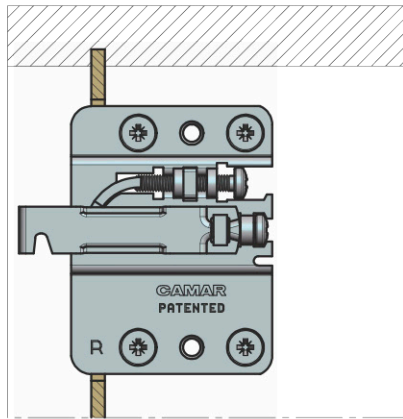
# 807 02 Z1 IN □



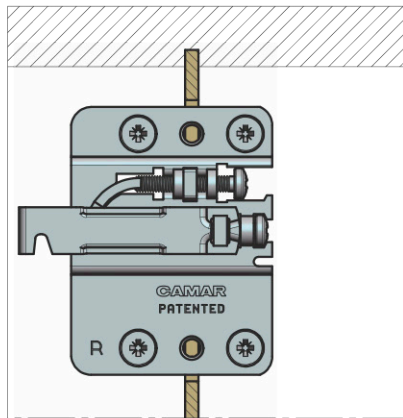
**F<sub>1</sub>**



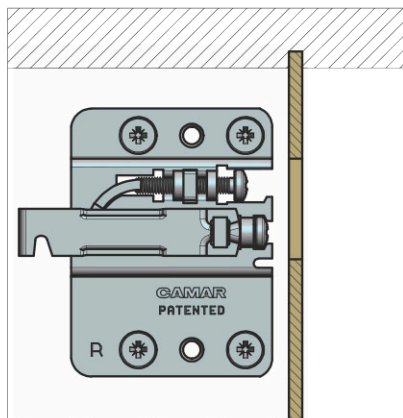
**F<sub>2</sub>**

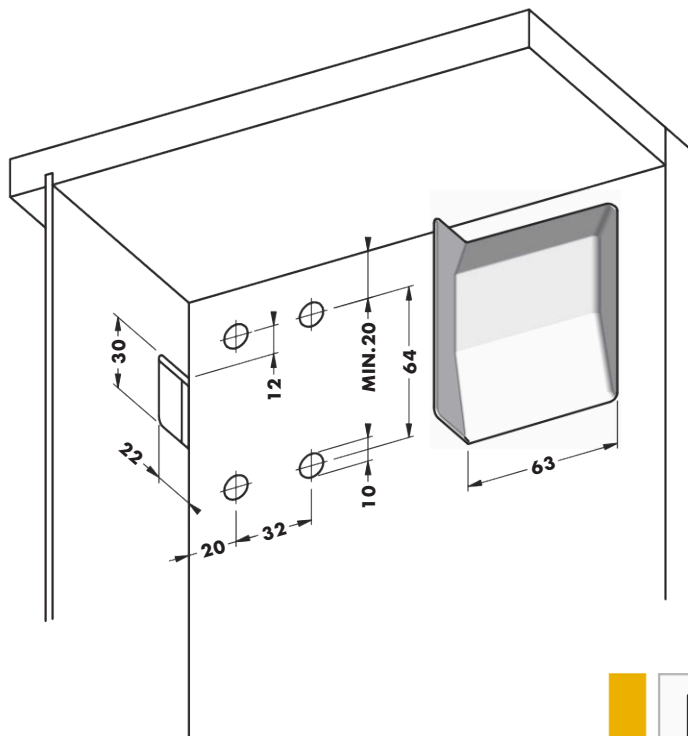


**F<sub>3</sub>**



**F<sub>4</sub>**

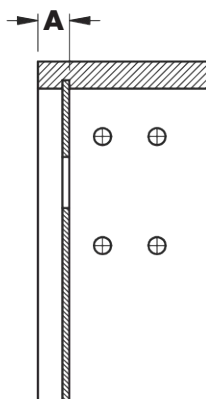
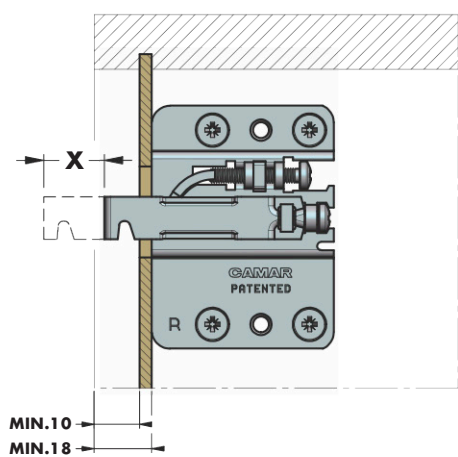




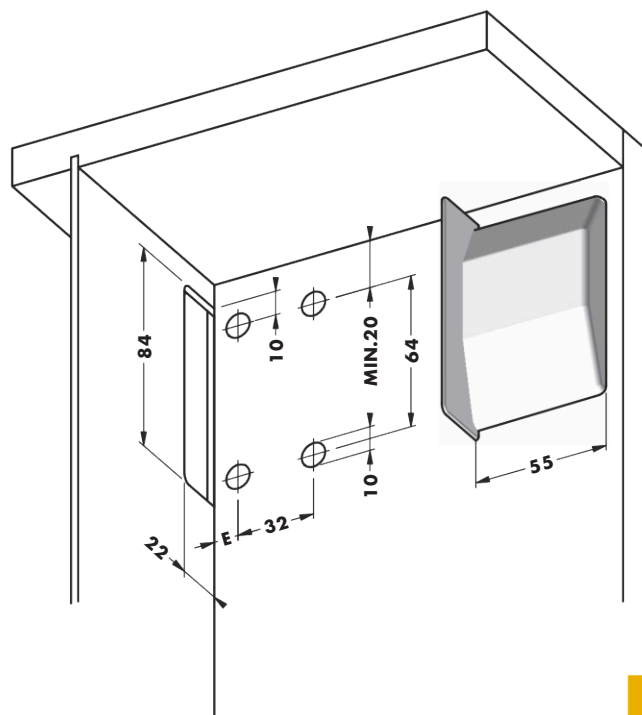
9



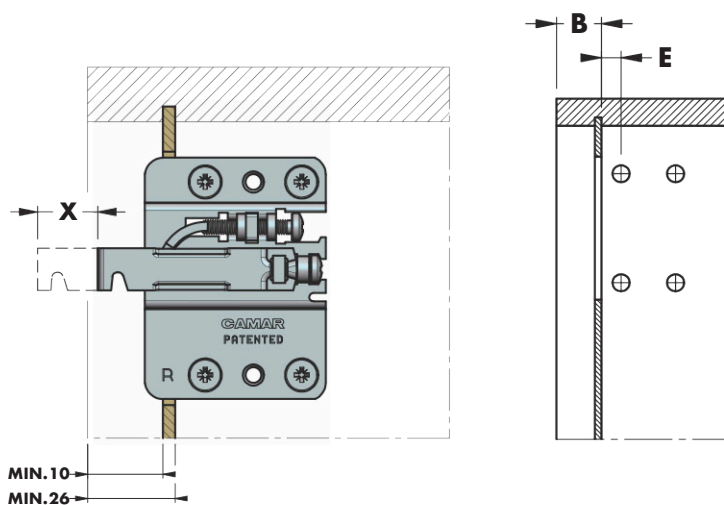
807 00  00 



A	X
18	19
19	18
20	17
21	16
22	15
23	14
24	13
25	12

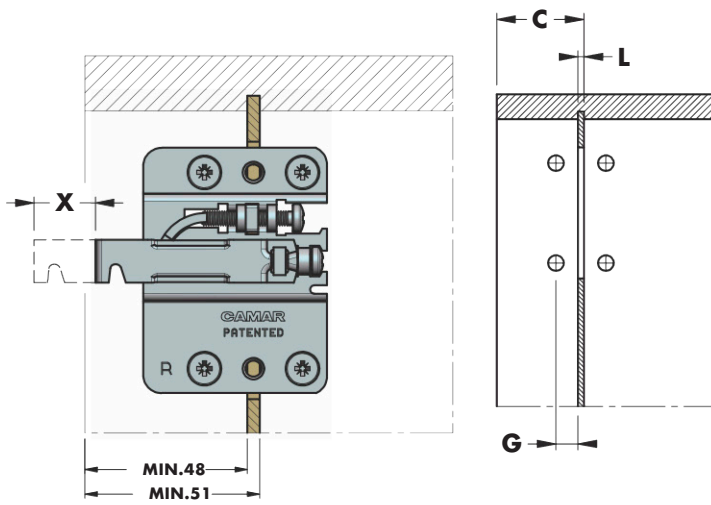
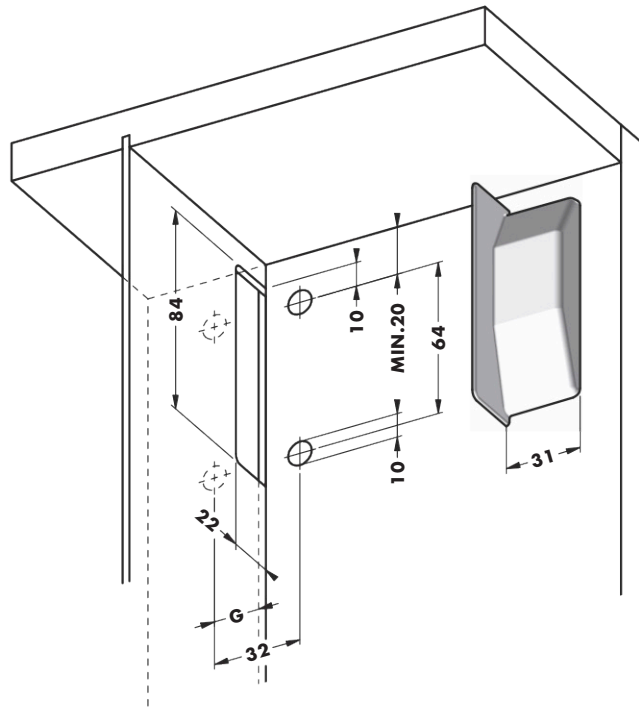


807 00  55 



B	X	E
26	19	12
27	19	11
28	19	10
29	18	
30	17	
31	16	
32	15	
33	14	
34	13	
35	12	
36	11	
37	10	
38	9	
39	8	
40	7	
41	6	
42	5	

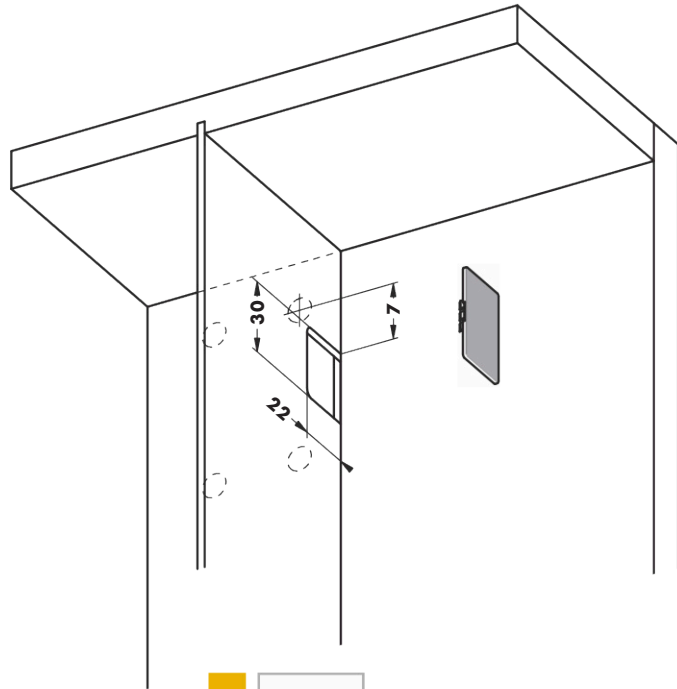
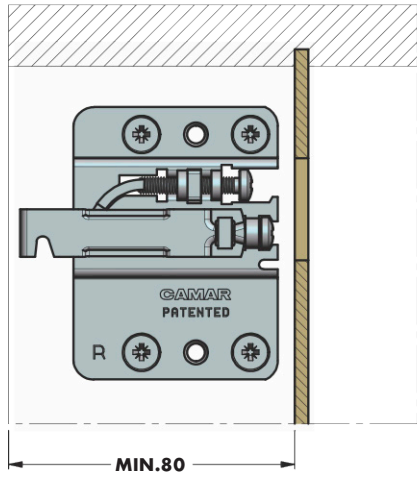




C	L=3		L=4		L=5		L=6	
	X	G	X	G	X	G	X	G
51	19	10						
52	19	11	19	10				
53	19	12	19	11	19	10		
54	19	13	19	12	19	11	19	10
55	19	14	19	13	19	12	19	11
56	19	15	19	14	19	13	19	12
57	19	16	19	15	19	14	19	13
58	19	17	19	16	19	15	19	14
59	19	18	19	17	19	16	19	15
60	19		19		19		19	
61	18		18		18		18	
62	17		17		17		17	
63	16		16		16		16	
64	15	19	15	18	15	17	15	16
65	14		14		14		14	
66	13		13		13		13	
67	12		12		12		12	
68	11		11		11		11	

# 807 02 Z1 IN

**F<sub>4</sub>**



9



810 00  38 24  543

4